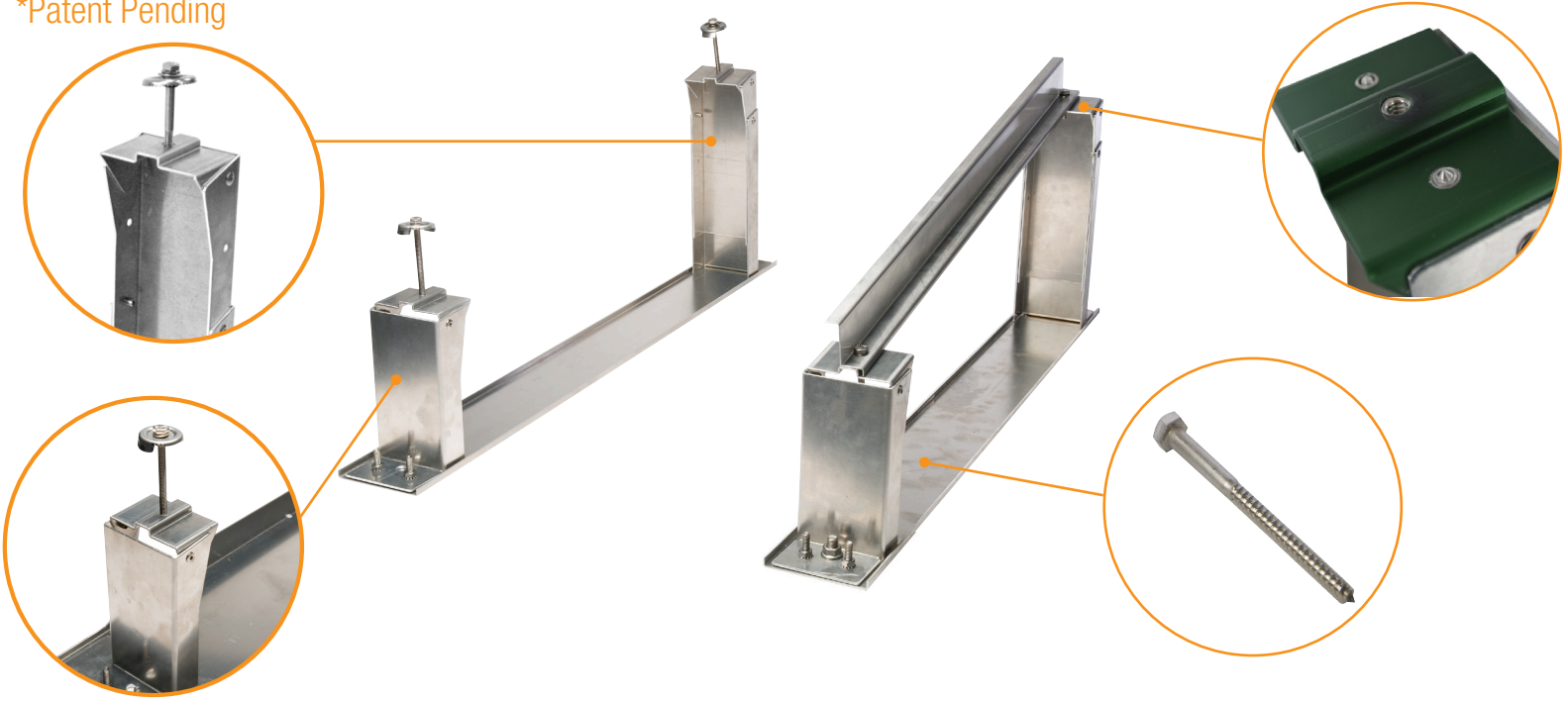


Orion's belt

Penetrated System

*Patent Pending



Product Detail:

Orion's Belt system offers the strongest and most cost effective method for installation of Solar PV systems during the construction of new composition /asphalt shingle or foam roof replacement. The unique bracket/belt system is specifically designed to fit into the workflow between the trades to integrate Orion's Belt into the new roof structure and make solar installation water proof and efficient.

Features:

- Aluminum 5052
- Suitable for most commercial buildings
- Suitable for roof slope range from 0-15 degrees
- High strength-to-weight ratio
- Spacing efficiency with integrated setback adjustments
- High corrosion resistant materials allows for low lifetime maintenance and an extended product life

20 Year Warranty
Twice the protection offered by competitors.

Integral Grounding
Streamlines equipment grounding.

Wind Tunnel Tested

Minimal Loading
Lightweight design reduce loading.

Rugged Construction
Strong and lightweight aluminum and stainless steel ensure durability.

UL Listed
UL2703

Simple Assembly
Modular system adapts to most roofs.

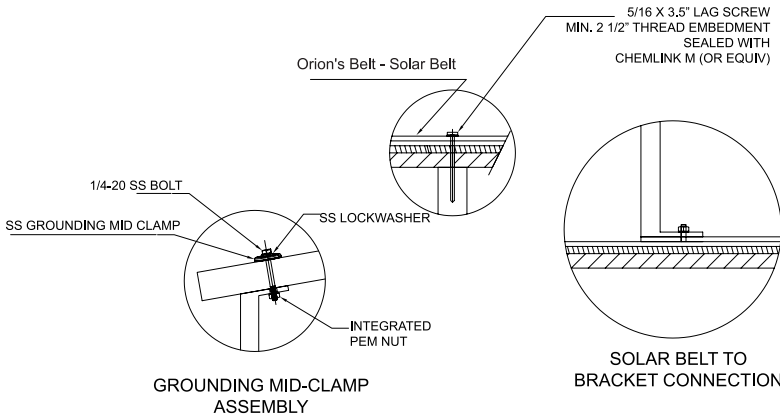
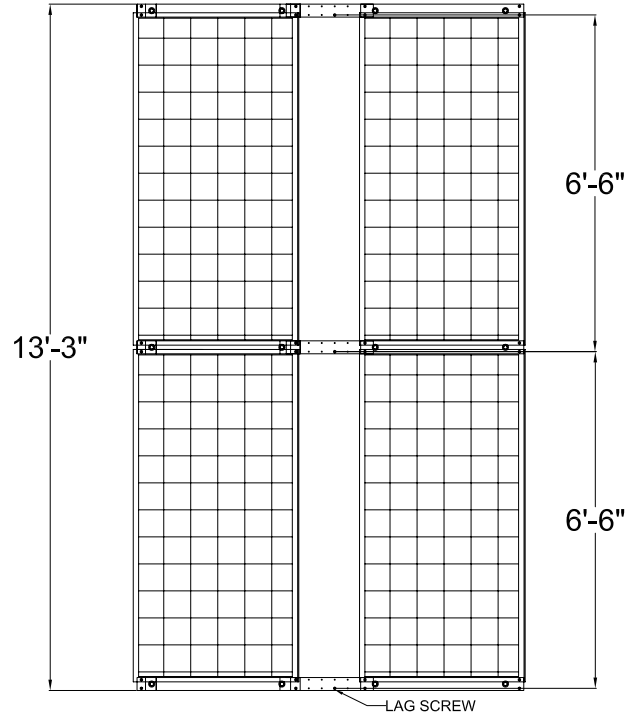
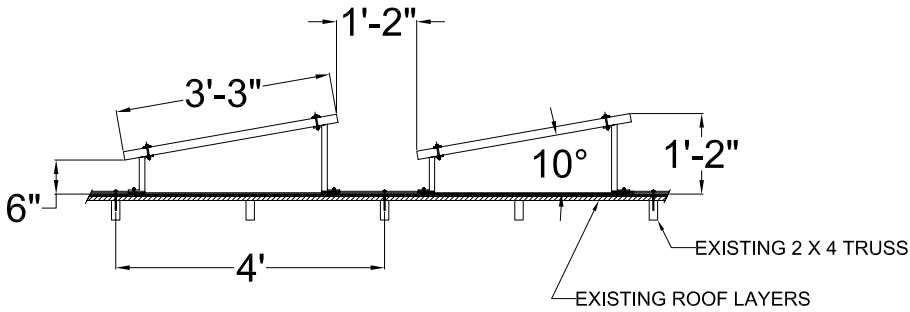
ARA
Buy American Act Compliant

Engineer Certified
We offer complete engineering resources and pre-stamped certified letters

Orion's belt

Penetrated System

*Patent Pending



Structural Components



Solar Belts

Made from 5052 Aluminum; replaces ballast pan and adds rigidity.



Brackets

Brackets made from 5052 Aluminum provide tilt and support of the modules.



Connect Belts

Connect belts connect each bracket to each other and add rigidity to the system as a whole.

Clamps and Wiring



Clamps

Clamps fasten to the bracket and ground adjacent modules to racking system.



Grounding

Grounding Lugs connect the entire system to the ground.



Accessory Mounting Plate

For micro-inverters, optimizers, etc. (Optional)



Wire Management

Compatible with wire management accessories. (Optional)